

GOWNING BENCH

Series 002995
 Specifications Sheet 2955-S

All Material Type 304 Stainless Steel, No. 4 Polished Finish
 Welded Construction, All Welds Polished and Grind Smooth

Solid Top with Enclosed Bottom

Legs and Cross Braces 1.652 Diameter

Adjustable Floor Levelers (up to 1") Floor Mount Hole Optional

Standard Height 18"

Edges for Seating Surface are Radiused for Comfort

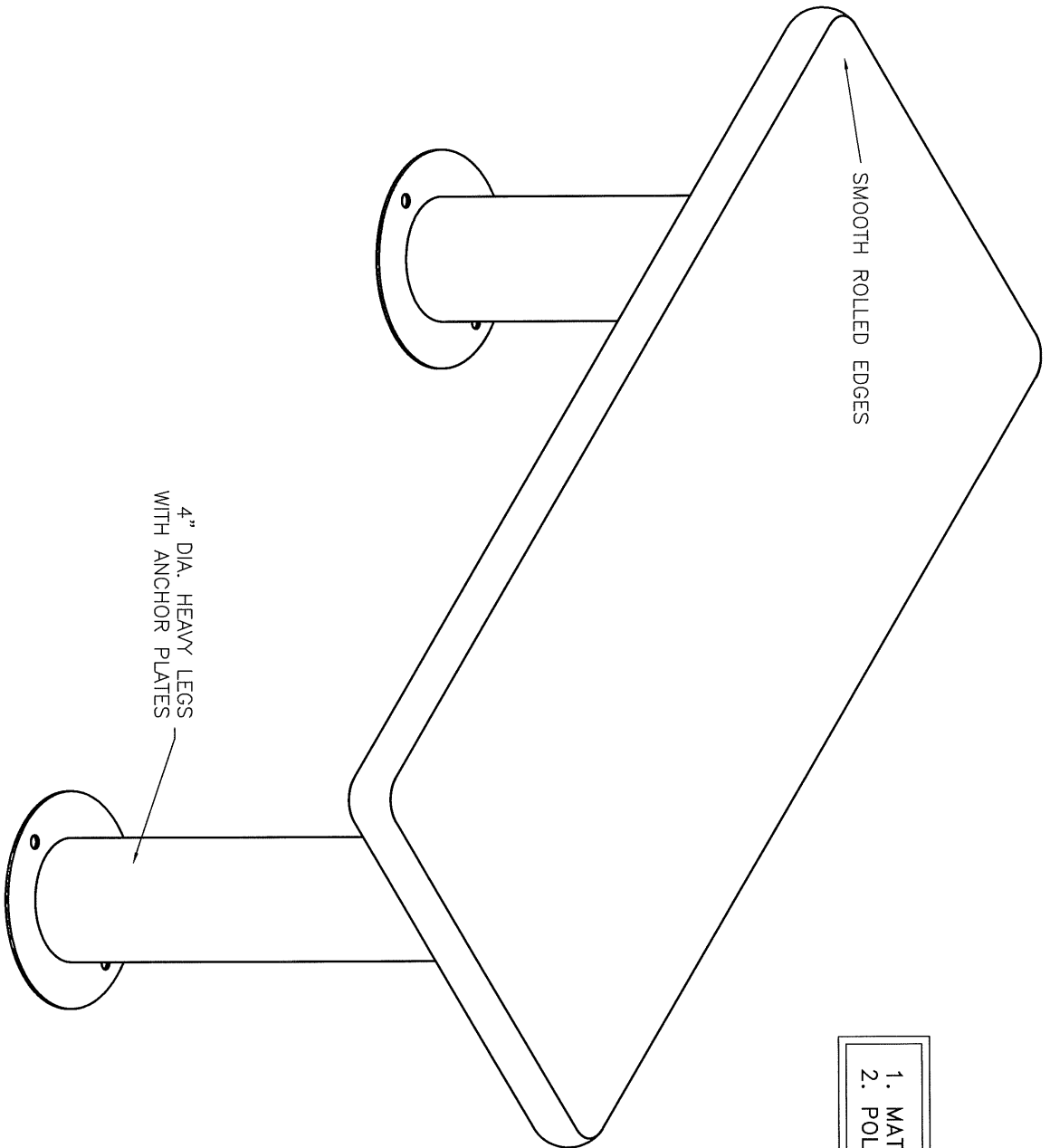
Benches are Free Standing

Standard Sizes: Other Custom Sizes Available

Model#	Height	Width	Length
002995-1	18"	16"	36"
002995-2	18"	16"	48"
002995-3	18"	16"	60"

March 1, 2008

This drawing is the copyrighted property of Bosio Metal Specialties, Inc., 2009, and contains information and ideas that may not be reproduced via any media nor transferred in any way to a third party without the expressed written consent from the owner. This drawing is provided for the sole use of the Bosio client to whom it was furnished.



1. MATERIAL IS T304 STAINLESS STEEL.
2. POLISHED TO #4 BRUSH FINISH.

ORIGINAL DATE: _____
 DRAWN BY: _____
006124

BOSIO
 METAL SPECIALTIES, INC.
 409 Industrial Drive
 North Wales, PA 19154
 Telephone: (215) 699-4100
 Fax: (215) 699-6437
 www.bosio-metal-specialties.com

PROJECT: _____
 LOCATION: _____
 CLIENT: _____
 DRAWING TITLE: **GOWNING BENCH, PEDESTAL TYPE, T304 SS**
BOSIO MODEL 006124

DATE: _____
 BY: _____

1 1/2" ROLLED
EDGE

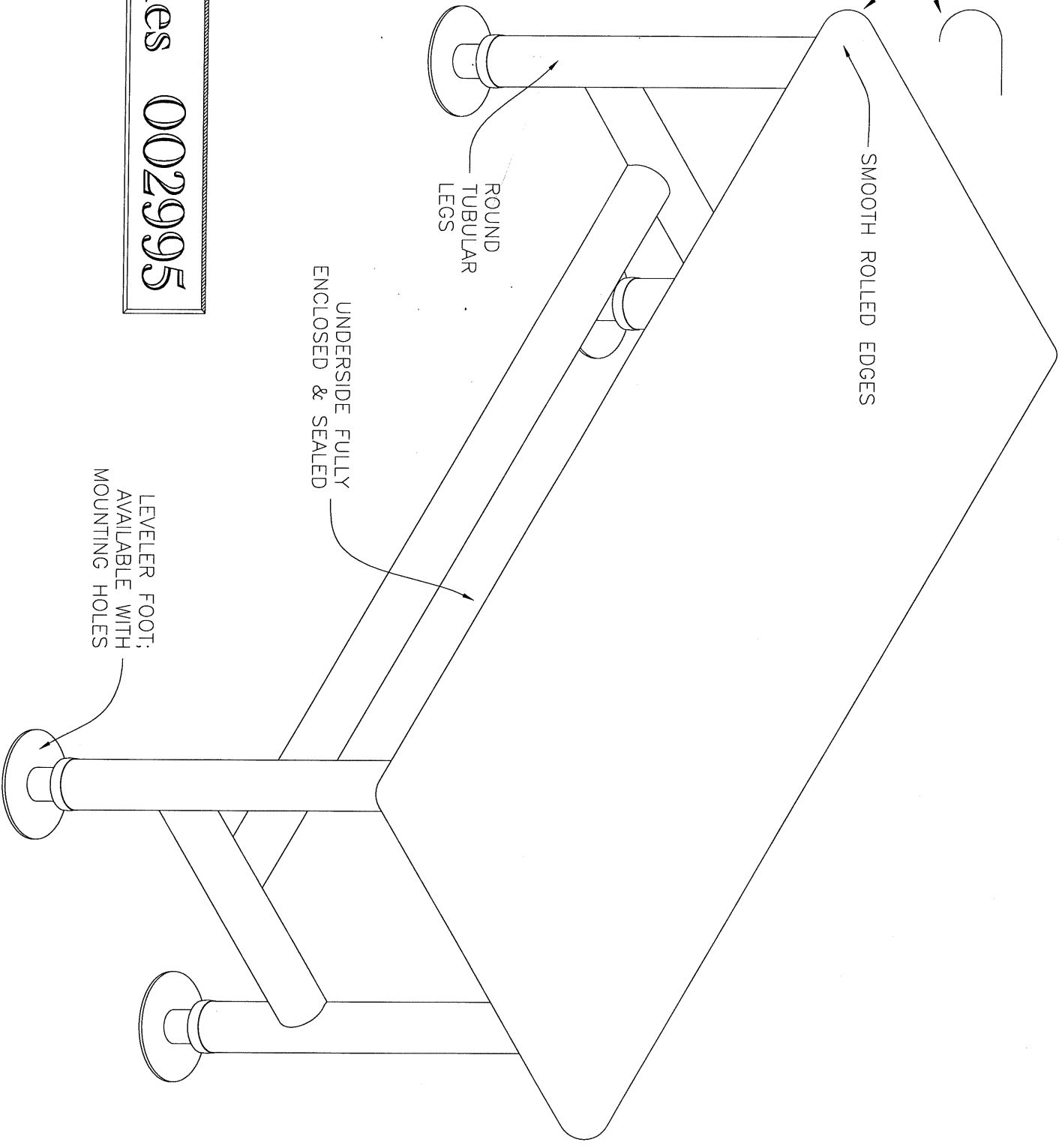
SMOOTH ROLLED EDGES

ROUND
TUBULAR
LEGS

UNDERSIDE FULLY
ENCLOSED & SEALED

LEVELER FOOT;
AVAILABLE WITH
MOUNTING HOLES

Series 002995



This drawing is the copyrighted property of Bosio Metal Specialties, Inc., 2002, and contains information and items that may not be reproduced via any media not transferred in any way to a third party without the expressed written consent from the owner. This drawing is provided for the sole use of the Bosio client to whom it was furnished.

This drawing may not be reproduced by any means nor transferred via any way to a third party without the expressed written consent of the Owner. This drawing is provided for the sole use of the Bosio Client to whom it was furnished.

PROJECT:	
LOCATION:	
CLIENT:	
DRAWING TITLE:	GOWNING BENCH, STAINLESS STEEL, MODEL No. 002995

BOSIO
METAL SPECIALTIES, INC.

400 Industrial Drive
North Wales, PA 19454
Telephone: (215) 698-4100
Fax: (215) 800-6137
www.bosio.com

DATE:	2/19/2008
DESIGNER:	
BY:	
SCALE:	
DO NOT SCALE	
INCHES:	
DRAWING NUMBER:	